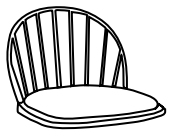


Riley Counter Stool

Part # B26-RILEYPU-GRTZQ2-XX2

23-0206

PARTS



A



x4
B



C



D



E



M6*25MM
4PCS+1EXT

F



M6*20MM
8PCS+1EXT

G



M6*16MM
4PCS+1EXT

H



x2

I



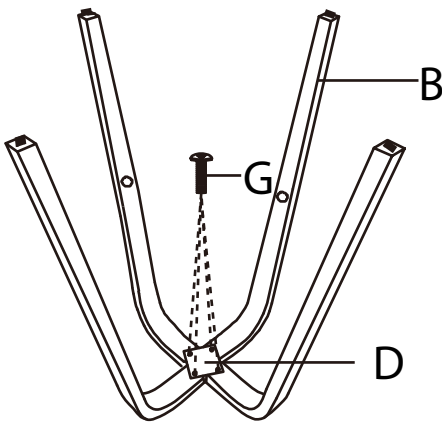
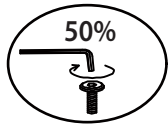
x4

J

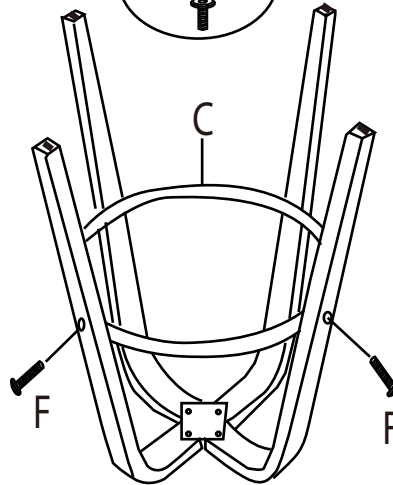
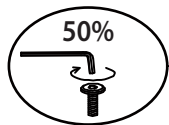


K

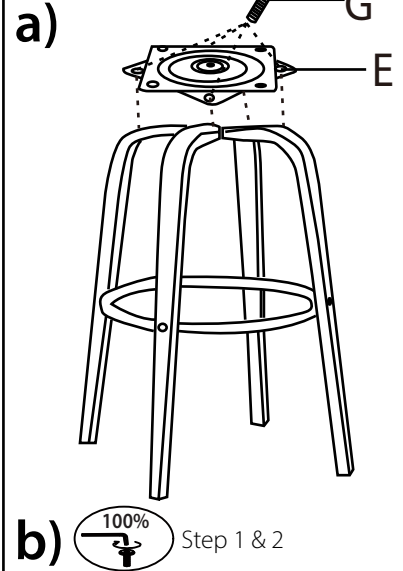
1



2

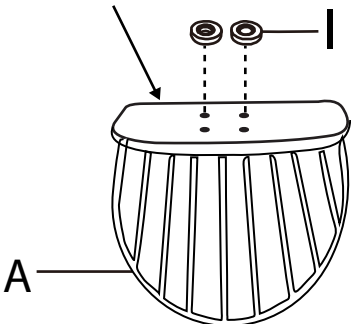


3



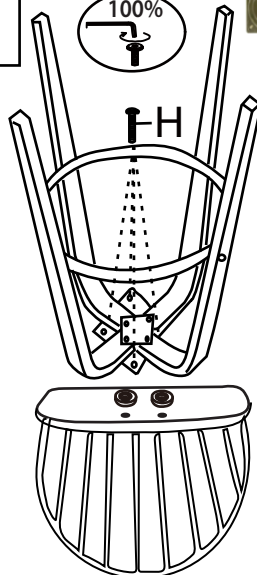
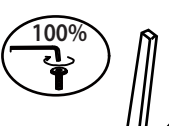
4

FRONT

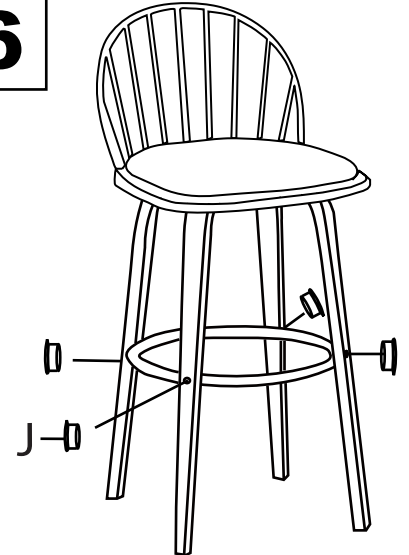


A

5



6



⚠ WARNING:

- Read all instructions carefully and completely before assembly and use. Retain for future reference.
- Keep plastic bags and small parts away from children.
- For residential (non-commercial) use only.
- DO NOT stand on product. Use only for intended table purpose.
- Max weight limit 250 lbs.
- Periodically check for loose hardware; retighten as necessary.
- DO NOT use product if any component becomes damaged.
- DO NOT use power tools to assemble OR overtighten hardware.